

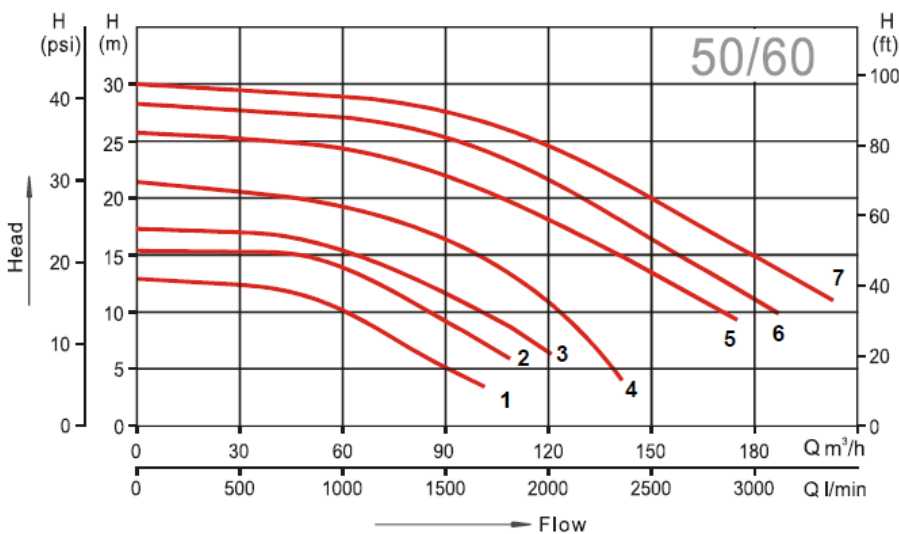
BOMBA – PUMP

POWER ZEUS

- Bomba comercial robusta auto-aspirante con cuerpo anticorrosivo de plástico con base de plástico para piscina comercial de gran potencia.
- Trifásicas 50-60Hz. Disponible de 4.0 a 25.0CV a 2.850 rpm. Bridas estándar. DN 150 adaptable ANSI.
- Motor de alta eficiencia y ahorro energético.
- Para todo tipo de aguas grises, residuales e incluso para líquidos con ácidos.
- *Self-priming robust commercial pump Body is made of corrosion residential plastic with integrated plastic mounting base plate.*
- *Triphasic 50-60Hz. Available from 4.0Hp to 25.0Hp at 2.850 rpm.*
- *Equipped with high-efficiency motor, energy saving and long service life.*
- *It is suitable for all kinds of waste water, sewage treatment and various acid-base liquid transportation.*

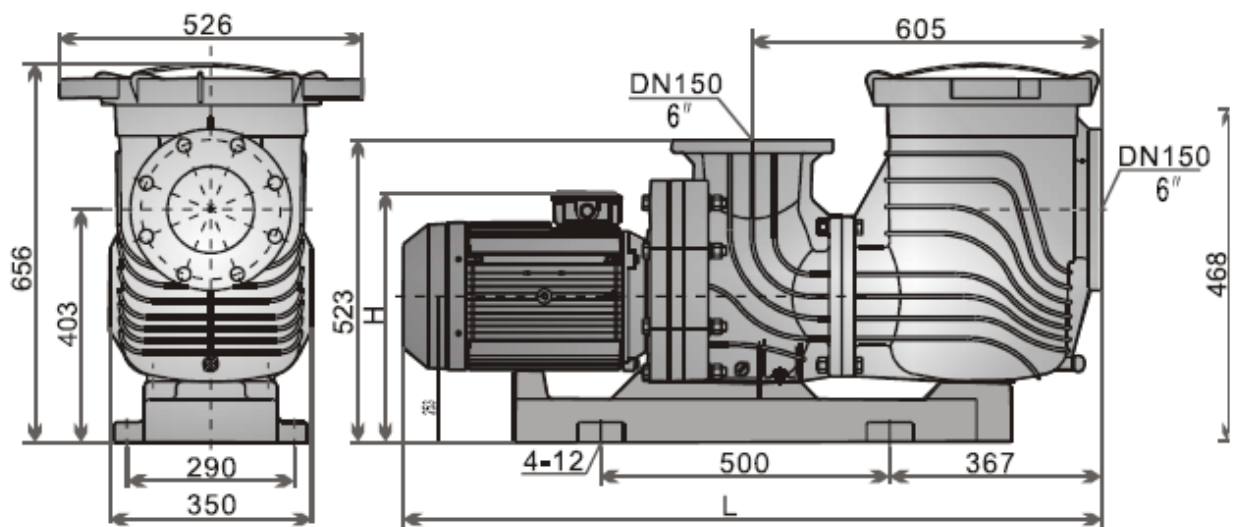


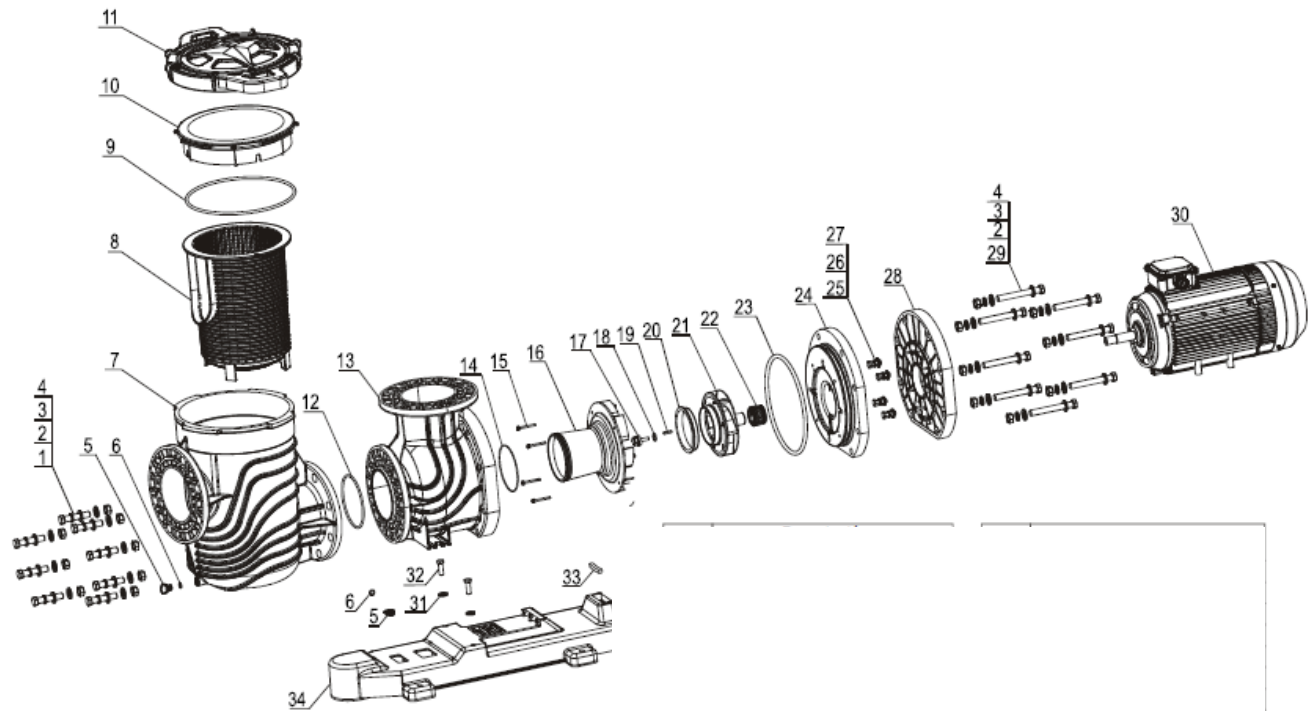
BLZW 4.0 – 25.0 Hp



CODE	Curve	Power (hp)	Power (Kw)	Voltage (V) Frequency (Hz)	Phases	Qmax. (l/min)	Hmax (m)	Inlet / outlet	L (mm)	H (mm)
NDE-ZP0400T	1	4.0	3.0	380/50/60Hz	3	1630	13,0	DN150 (6")	1155	414
NDE-ZP0500T	2	5.0	4.0	380/50/60Hz	3	1780	15,5	DN150 (6")	1155	414
NDE-ZP0750T	3	7.5	5.5	380/50/60Hz	3	2000	17,5	DN150 (6")	1155	414
NDE-ZP1000T	4	10.0	7.5	380/50/60Hz	3	2300	21,5	DN150 (6")	1155	414
NDE-ZP1500T	5	15.0	11.0	380/50/60Hz	3	2800	26,0	DN150 (6")	1210	433
NDE-ZP2000T	6	20.0	15.0	380/50/60Hz	3	3000	28,0	DN150 (6")	1251	433
NDE-ZP2500T	7	25.0	18.5	380/50/60Hz	3	3300	29,5	DN150 (6")	1251	433

CODE	L (mm)	H (mm)
<i>NDE-ZP0400T</i>	1155	414
<i>NDE-ZP0500T</i>	1155	414
<i>NDE-ZP0750T</i>	1155	414
<i>NDE-ZP1000T</i>	1155	414
<i>NDE-ZP1500T</i>	1210	433
<i>NDE-ZP2000T</i>	1251	433
<i>NDE-ZP2500T</i>	1251	433





NO.	Descripción Name
1	Tomillo Hex./Hexagon bolt
2	Arandela M./Spring washer
3	Arandela /Washer
4	Tuerca Hex./Hexagon Nut
5	Tapón /Plug
6	Junta T. / O-Ring
7	Cuerpo F. / Basket bucket
8	Cesta Filtro / Filter
9	Junta T. / O-Ring
10	Tapa transp./Transparent cover
11	Tuerca tapa prefiltro / Gland cover of transparent cover
12	Junta T. / O-Ring
13	Cuerpo B. / Pump Casing
14	Junta T. / O-Ring
15	Varillas M. / Self tapping screw
16	Plato Guía. / Guide plate

NO.	Name
17	Tuerca Dif. / Impeller Nut
18	Junta T. / O-Ring
19	Juntas / Activities Rings
20	Arandela /Washer
21	Difusor / Impeller
22	Sello Mec. / Mechanical Seal
23	Junta T. / O-Ring
24	Cubierta B. / Pump cover
25	Tuerca Hex./Hexagon bolt
26	Arandela M./Spring washer
27	Arandela /Washer
28	Brida M. /Transition to the front
29	Tuerca Hex./Hexagon bolt
30	Motor / Motor
31	Arandela /Washer
32	Tuerca Hex./Hexagon bolt
33	Goma /Floor rubber nat
34	Base B. /Base