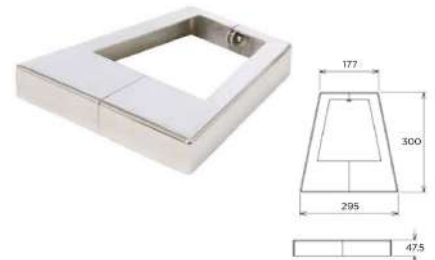


CASCADAS WATER CURTAINS

AIISI 316L

CASCADA BAL WATER CURTAIN BAL

Opcional: Luz LED
Optional: LED light



Code	DESCRIPTION
WF87185047	Brillo <i>Polished</i>
WF87185054	Satinado <i>Brush polished</i>
WF87185050	Brillo A316 electropulido <i>Polished electropolished</i>

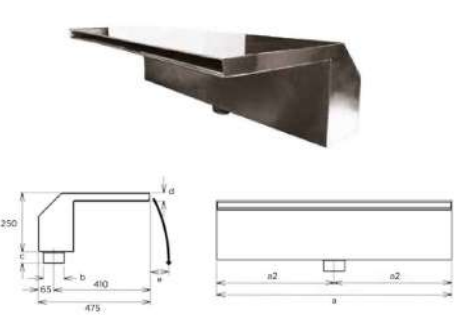
Code	DESCRIPTION
WF87185062	Anclaje rosca hembra conexión 2" <i>Anchorage Female connection 2"</i>

Code	DESCRIPTION
WF87185048	Embellededor brillo <i>Escutcheon polished</i>
WF87185055	Embellededor satinado <i>Escutcheon brush polished</i>

Caudal 30 m³/h
Flow: 30 m³/h
Bomba recomendada 1.5 kW
Recommended pump: 1.5 kW

Anclaje no incluido *Anchorage not included*

CASCADA MAU WATER CURTAIN MAU



Code	a	b	c	d	e
WF87186061	300	2"	42	25	270
WF87186060	500	2"	42	25	250
WF87186065	1000	3"	48	35	260

b=rosca hembra *b=female connection*
Caudal: 10 m³/h (300mm), 20 m³/h (500mm), 40 m³/h (1000mm)
Flow: 10 m³/h (300mm), 20 m³/h (500mm), 40 m³/h (1000mm)
Bomba recomendada: 0.33 kW (300mm), 0.55 kW (500mm), 2.2 kW (1000mm)
Recommended pump: 0.33 kW (300mm), 0.55 kW (500mm), 2.2 kW (1000mm)

CASCADA IGU WATER CURTAIN IGU



Code	DESCRIPTION
WF87186067	Brillo <i>Polished</i>
WF87186077	Electropulido <i>Brush polished</i>

BRILLO POLISHED:
Incl. embellecedor *Incl. escutcheon*: WF87100979
Incl. anclaje *Incl. anchor*
Rosca hembra *Female connection*: 1^{1/2}"
Caudal *Flow*: 35 m³/h
Bomba recomendada *Recommended pump*: 2.2 kW

CASCADAS Y CAÑONES CURTAINS AND CANNONS

CASCADA MINI BAL WATER CURTAIN MINI BAL



Code	DESCRIPTION
WF87185041	AIS1304L
WF87185044	AIS1316L
WF87185060	Electropulido <i>Electropolished</i>

Anclaje no incluido *Anchorage not included*



Code	DESCRIPTION
WF87185043	Anclaje MINI BAL rosca hembra conexión 2" <i>Anchorage MINI BAL Female connection 2"</i>

Rosca hembra *Female connection: 1 1/2"*
Caudal 20 m³/h *Flow: 20 m³/h*
Bomba recomendada 0.75 kW
Recommended pump: 0.75 kW

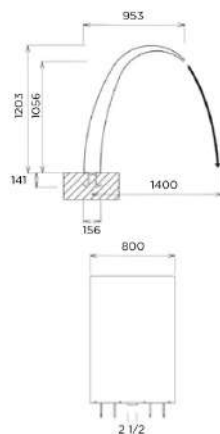
CAÑÓN CIRCULAR CAP CANNON JET CIRCULAR CAP



Code	DESCRIPTION
WF87186030	Boquilla circular <i>Circular nozzle</i>

Incl. embellecedor y anclaje
Incl. escutcheon and anchorage
Rosca hembra 2 1/2" *Female connection 2 1/2"*
Caudal 20 m³/h *Flow: 20 m³/h*
Bomba recomendada: 1 kW
Recommended pump: 1 kW

CASCADA VIC WATER CURTAIN VIC



Code	DESCRIPTION
WF87186064	Cascada <i>Water curtain</i>

Incl. anclaje *Incl. anchor*
Rosca hembra: 2 1/2" *Female connection: 2 1/2"*
Caudal: 50 m³/h *Flow: 50 m³/h*
Bomba recomendada: 2.2 kW *Recommended pump: 2.2 kW*

CAÑÓN PLANO CAP CANNON FLAT CAP



Code	DESCRIPTION
WF87186031	Boquilla plana <i>Flat nozzle</i>

Incl. embellecedor y anclaje *Incl. escutcheon and anchor*
Rosca hembra: 2 1/2" *Female connection: 2 1/2"*
Caudal: 22 m³/h *Flow: 22 m³/h*
Bomba recomendada: 1 kW *Recommended pump: 1 kW*

CAÑONES CANNONS

AISI 316L

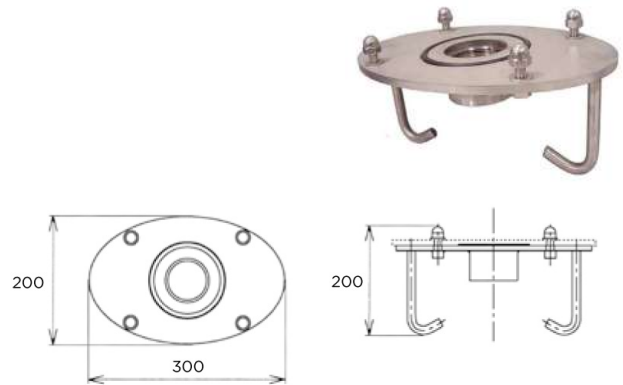
CASCADA VIC WATER CURTAIN VIC



Code	DESCRIPTION
WF87185014	Brillo <i>Polished</i>
WF87185015	Satinado <i>Brush polished</i>

Anclaje no incluido *Anchorage not included: WF87185039*
 Conexión: : 2" *Connection: 2"*
 Caudal: 8 m³/h *Flow: 8 m3/h*
 Bomba recomendada: 0.5 kW *Recommended pump: 0.5 kW*

CAÑÓN PLANO CAP CANNON FLAT CAP



Code	DESCRIPTION
WF87185039	Anclaje rosca hembra conexión 2" <i>Anchorage female connection 2"</i>

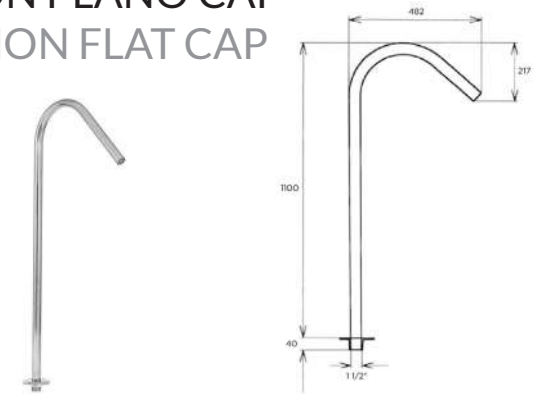
CASCADA VIC WATER CURTAIN VIC



Code	DESCRIPTION
WF87185022	Brillo <i>Polished</i>
WF87185023	Satinado <i>Brush polished</i>

Anclaje no incluido *Anchorage not included: WF87185039*
 Conexión: : 2" *Connection: 2"*
 Caudal: 8 m³/h *Flow: 8 m3/h*
 Bomba recomendada: 0.5 kW *Recommended pump: 0.5 kW*

CAÑÓN PLANO CAP CANNON FLAT CAP



Code	DESCRIPTION
WF87187010	Cañón <i>Cannon</i>

No es necesario anclaje *No anchorage needed*
 Rosca macho: 1 1/2" *Male connection: 1 1/2"*
 Caudal: 6 m³/h *Flow: 6 m3/h*
 Bomba recomendada: 0.33 kW *Recommended pump: 0.33 kW*
 No incluye boquilla 4 *Nozzle 4 not included*