

# ESCALERAS ELECTROPULIDAS ELECTROPOLISHED LADDERS

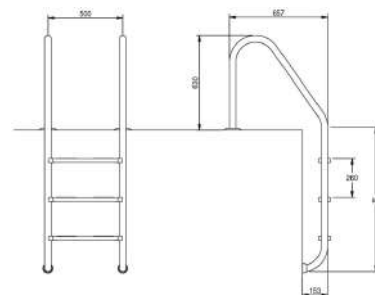
Peldaño antideslizante incluido  
Anti-slip step included

## ESTÁNDAR RESIDENTIAL

AISI 316L

Steps	Code	a. mm
3	WF87111940N	946
4	WF87111950N	1196

Electropulido. *Electropolished.*

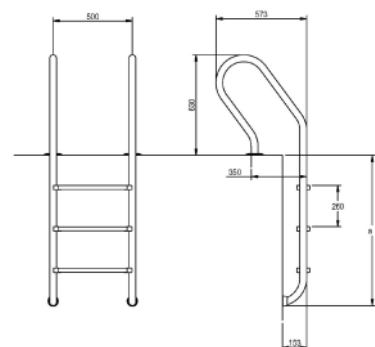


## MIXTA PARALLEL-LOCK

AISI 316L

Steps	Code	a. mm
3	WF87120880N	946
4	WF87120890N	1196

Electropulido. *Electropolished.*



## MURO WALL

AISI 316L

Steps	Code	a. mm
3	WF87131141N	946
4	WF87131151N	1196

Electropulido. *Electropolished.*

