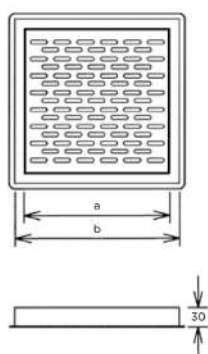


# VARIOS VARIOUS

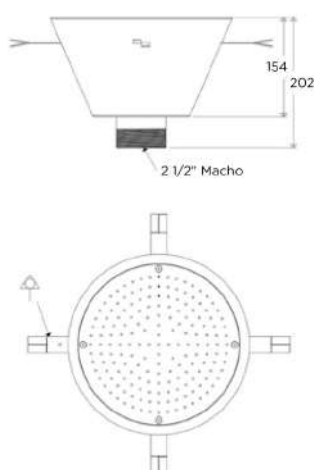
AIISI 316L

## SUMIDERO INOX MAIN DRAIN BOX



| Code       | a   | b   |
|------------|-----|-----|
| WF87198012 | 205 | 252 |
| WF87198013 | 285 | 332 |
| WF87198015 | 460 | 477 |

## CAJÓN DE MASAJE POR AIRE MASSAGE PLATE BY AIR



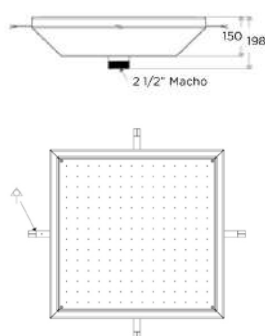
| Code       | Ø     | Flow                 | Blower  |
|------------|-------|----------------------|---------|
| WF87188020 | 300mm | 140m <sup>3</sup> /h | 0,85 kW |
| WF87188021 | 500mm | 180m <sup>3</sup> /h | 1,3 kW  |
| WF87188022 | 700mm | 216m <sup>3</sup> /h | 1,6 kW  |

Para hormigón *For concrete*

| Code       | Ø     | Flow                 | Blower  |
|------------|-------|----------------------|---------|
| WF87188040 | 300mm | 140m <sup>3</sup> /h | 0,85 kW |
| WF87188041 | 500mm | 180m <sup>3</sup> /h | 1,3 kW  |
| WF87188042 | 700mm | 216m <sup>3</sup> /h | 1,6 kW  |

Para liner y poliéster *For liner and polyester*

## CAJÓN DE MASAJE POR AIRE MASSAGE PLATE BY AIR



| Code       | Ø       | Flow                 | Blower |
|------------|---------|----------------------|--------|
| WF87188023 | 350x350 | 180m <sup>3</sup> /h | 1,3 kW |
| WF87188024 | 650x650 | 216m <sup>3</sup> /h | 1,6 kW |

Para hormigón *For concrete*

| Code       | Ø       | Flow                 | Blower |
|------------|---------|----------------------|--------|
| WF87188043 | 350x350 | 180m <sup>3</sup> /h | 1,3 kW |
| WF87188044 | 650x650 | 216m <sup>3</sup> /h | 1,6 kW |

Para liner y poliéster *For liner and polyester*