



PLASTIC PUMP HIGH FLOW



ZEUS POWER

Large capacity self-priming plastic pump with plastic base Ideal for commercial pools that require large flow rates.

Robust design composed of thermoplastic materials reinforced with fiberglass to withstand overloads in the most extreme conditions.

FEATURES:

- Durability and Robustness.
- With large capacity prefilter.
- Three-phase 50 or 60Hz, from 4.00Hp to 25.0Hp to 2,850 rpm.
- Standard flanges, DN150 ANSI adaptive.
- For all types of grey water, wastewater and even for liquids with acids. Mechanical silicon carbide seal.
-

✓ Energy Savings and Efficiency.

- *High efficiency motor to provide the highest water circulation speed needed in the most demanding applications.*



✓ Robust and transparent lid for quick inspection. Easy to open.

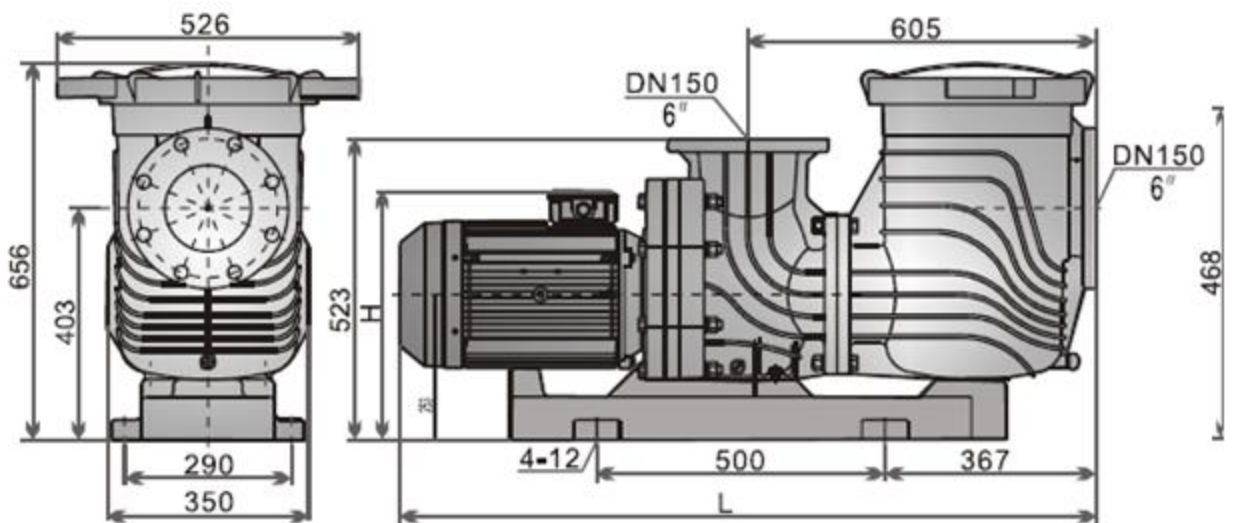
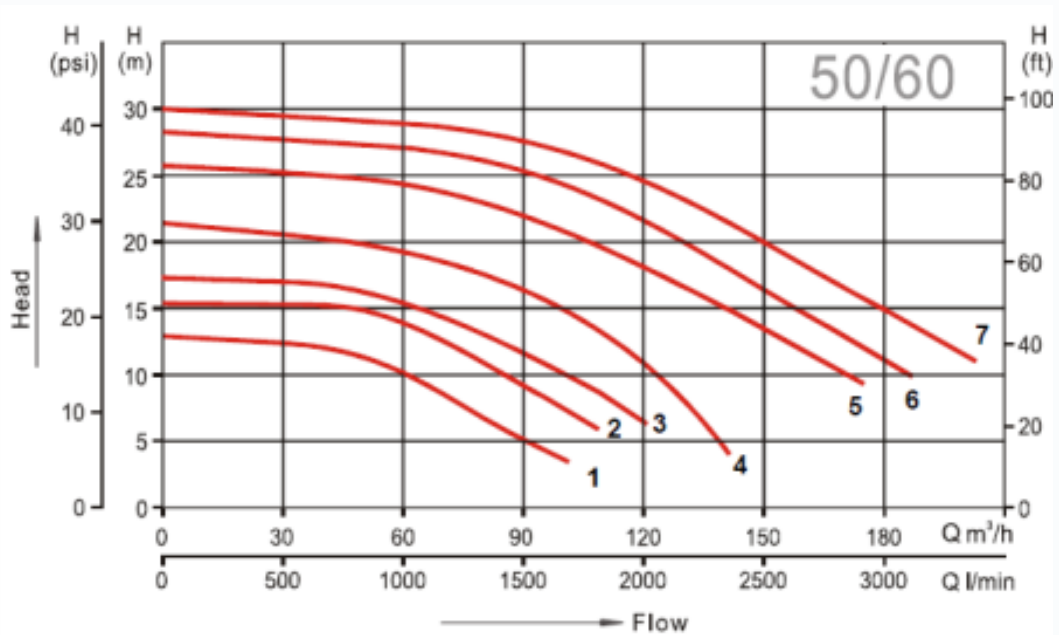


✓ Reinforced base for stability.

✓ High capacity prefilter to prevent cleaning so often.



CODE	Curve	Power (hp)	Power (Kw)	Voltage (V) Frequency (Hz)	Phases	Qmax. (l/min)	Hmax (m)	Inlet / outlet	L (mm)	H (mm)
BLZW0400T	1	4.0	3.0	380/50/60Hz	3	1630	13,0	DN150 (6")	1155	414
BLZW0500T	2	5.0	4.0	380/50/60Hz	3	1780	15,5	DN150 (6")	1155	414
BLZW0750T	3	7.5	5.5	380/50/60Hz	3	2000	17,5	DN150 (6")	1155	414
BLZW1000T	4	10.0	7.5	380/50/60Hz	3	2300	21,5	DN150 (6")	1155	414
BLZW1500T	5	15.0	11.0	380/50/60Hz	3	2800	26,0	DN150 (6")	1210	433
BLZW2000T	6	20.0	15.0	380/50/60Hz	3	3000	28,0	DN150 (6")	1251	433
BLZW2500T	7	25.0	18.5	380/50/60Hz	3	3300	29,5	DN150 (6")	1251	433



We reserve the right to change all or part of the features of the articles or contents of this document, without prior notice.